



Extinguishing technology Halocarbon agents P21.231.430 - 4
Monitoring device Halocarbon agents

Contact pressure gauge UL, VSN 200

Approvals



¹⁾ Listed system covered by UL-file EX26532 (Ar, VSN 200 and VSN 1230)

²⁾ Part of the system approval

SAP designation

e.g. part no. 889306: Contact pressure gauge UL 725 (50) psi (bar)/ 324 (22.5) NO HFC-227ea

Maintenance

Functional check within the framework of system-specific functional test.

Spare parts

- O-ring part no. 888023
- Supporting ring O-ring part no. 888024

| Nominal pressure at 70 °F (21 °C) psi (bar) | Switching mode ³⁾ | Part no. | Pressure range / switching point psi (bar) | max. Pressure psi (bar) | Tolerance acc. to UL / ULC psi (bar) | Weight kg (lbs) |
|--|------------------------------|----------|---|----------------------------|---|--------------------|
| 360 (25) | break contact (NC) | 889311 | 870 / 324 (60 / 22.5) | 725 (50) | ± 19 (± 1.3) | 0.17 (0.37) |
| 610 (42) | | 889312 | 1160 / 549 (80 / 37.8) | 1015 (70) | ± 21 (± 1.4) | |
| 725 (50) | | 889313 | 1450 / 653 (100 / 45) | 1160 (80) | ± 23 (± 1.5) | |
| 360 (25) | make contact (NO) | 889306 | 870 / 324 (60 / 22.5) | 725 (50) | ± 19 (± 1.3) | |
| 610 (42) | | 889307 | 1160 / 549 (80 / 37.8) | 1015 (70) | ± 21 (± 1.4) | |
| 725 (50) | | 889309 | 1450 / 653 (100 / 45) | 1160 (80) | ± 23 (± 1.5) | |

³⁾ **Note switching mode**

Break contact (NC) - pressureless closed:
At nominal pressure the contact is opened. Contact makes with falling pressure or anticlockwise pointer motion.

Make contact (NO) - pressureless opened:
At nominal pressure the contact is closed. Contact breaks with falling pressure or anticlockwise pointer motion.

Electrical data

Switching voltage4.5 – 24 V DC / VAC
 Switching current5 – 100 mA
 Contact loadmax. 3 W, dry contact
 Conducting wiretwo-core, 100 cm (39.37")
 Cross-section of conducting wire ...0.14 mm² (0.000217 square inch),
AWG 26

Technical data

Pressure mediumHFC-227ea, N₂
 Nominal size50
 Accuracy class1.6
 Temperature ranges-40 °C to +60 °C (-40 °F to 140 °F)
measuring medium max. +60 °C (140 °F)
 IP codeIP65 with mounted cable
 Measuring network, motion workcopper alloy

Design of instrument dial

Design of instrument dialaccording to UL 2166
 Materialaluminium, white
 Scaledual scale (bar / psi)
 Indicating range0 to pressure range
 Indicating range marked:
 - 0 to IRecharge
 - I to IIred
 - II to IIIgreen
 - III to IVred
 - IV to max.Overcharged

A101 / 2014
The contents of this publication are subject to modifications without notice. All rights reserved.

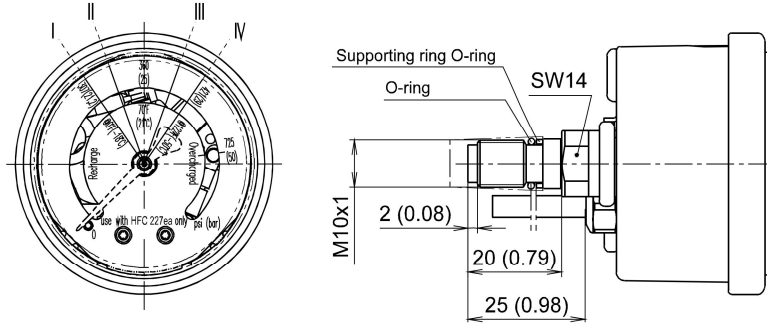


Extinguishing technology Halocarbon agents P21.231.430 - 4
Monitoring device Halocarbon agents

Contact pressure gauge UL, VSN 200

Dimension drawing

Dimensions in mm (inch)



Indicating range marked

| Nominal pressure at 70 °F (21 °C) psi (bar) | Red area I to II | Green area II to III | Red area III to IV | Marking at nominal pressure | Marking at I | Marking at IV |
|---|------------------|----------------------|--------------------|-----------------------------|-----------------------|------------------------|
| 360 (25) | 290-324 | 324-396 | 396-493 | 360 I (25) 70°F I (21°C) | 290 (20) @0°F (-18°C) | 493 (34) @122°F (50°C) |
| 610 (42) | 480-549 | 549-671 | 671-767 | 610 I (42) 70°F I (21°C) | 480 (33) @0°F (-18°C) | 767 (53) @122°F (50°C) |
| 725 (50) | 587-653 | 653-798 | 798-864 | 725 I (50) 70°F I (21°C) | 587 (40) @0°F (-18°C) | 864 (60) @122°F (50°C) |

A101 / 2014
The contents of this publication are subject to modifications without notice. All rights reserved.